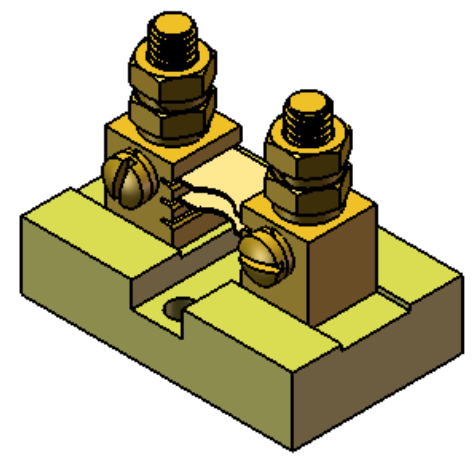



0.200 diam.

1/4-20 UNF STUD LOCKNUT(2)  
SPLITLOCK WASHER(2)



**PROPRIETARY AND CONFIDENTIAL**  
THE INFORMATION CONTAINED IN THIS DRAWING IS THE SOLE PROPERTY OF UMA. ANY REPRODUCTION IN PART OR AS A WHOLE WITHOUT THE WRITTEN PERMISSION OF UMA IS PROHIBITED.

		UNLESS OTHERWISE SPECIFIED:		NAME	DATE	TITLE: <b>SHUNT</b>		
		DIMENSIONS ARE IN INCHES TOLERANCES: .001 FRACTIONAL ± ANGULAR: MACH ± BEND ± TWO PLACE DECIMAL ± THREE PLACE DECIMAL ±		DRAWN	RMT		9-12-11	
		INTERPRET GEOMETRIC TOLERANCING PER:		CHECKED				
		MATERIAL : Brass & POLYCARBONATE		ENG APPR.				
		FINISH		MFG APPR.				
NEXT ASSY	USED ON			Q.A.				
APPLICATION		DO NOT SCALE DRAWING		COMMENTS:				
						SIZE <b>B</b>	DWG. NO. <b>ICUX</b>	REV <b>A</b>
						SCALE: 1:1	WEIGHT:	SHEET 1 OF 1