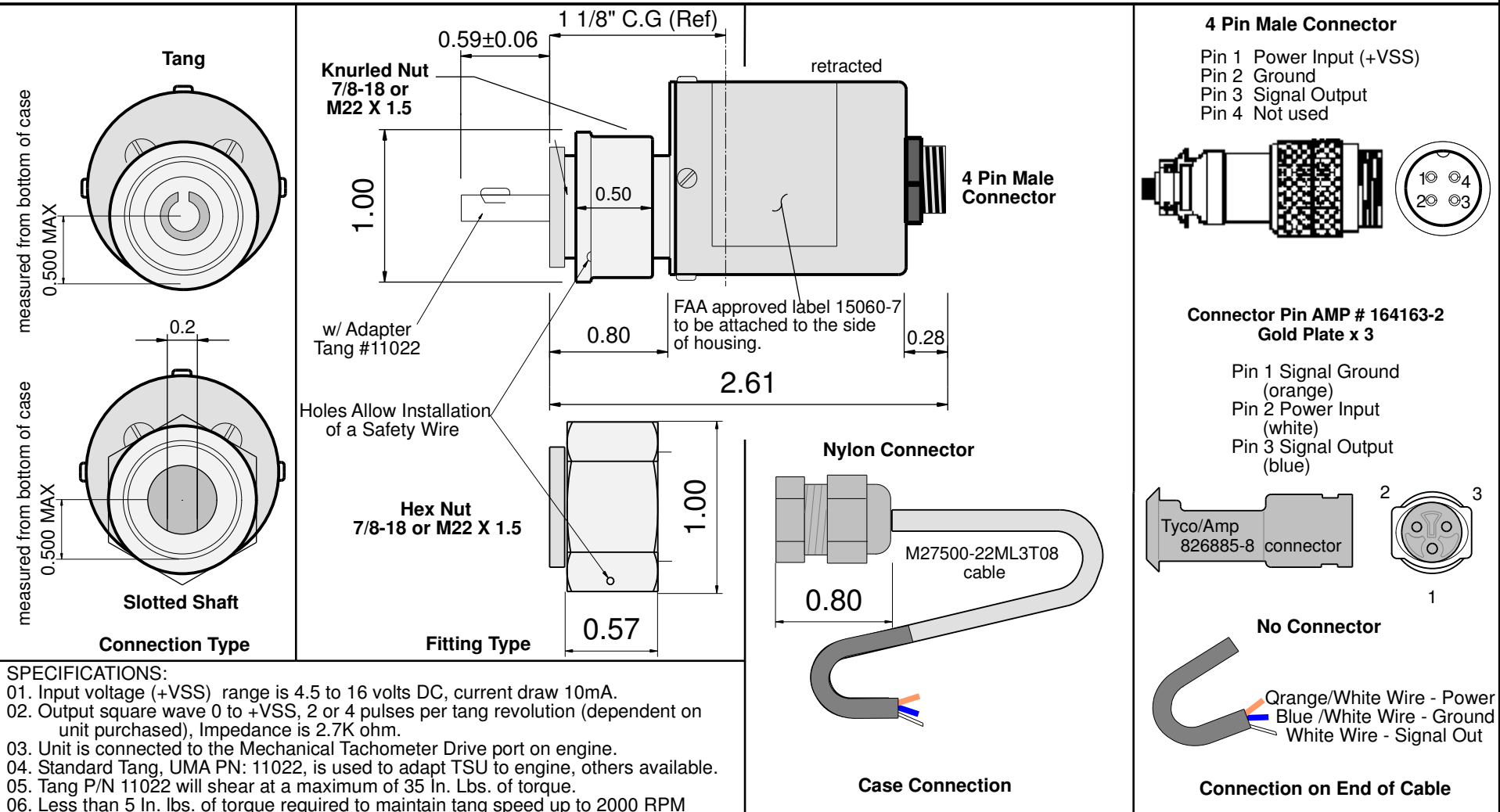


MATERIAL:

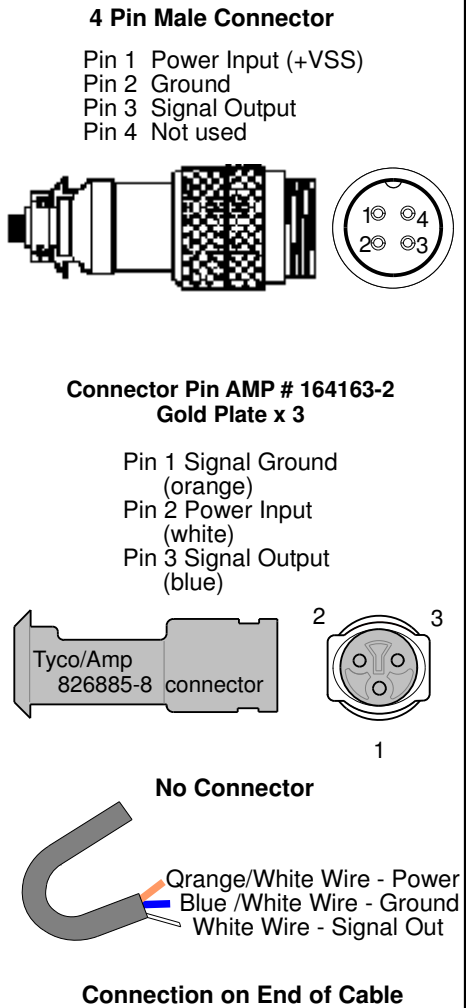
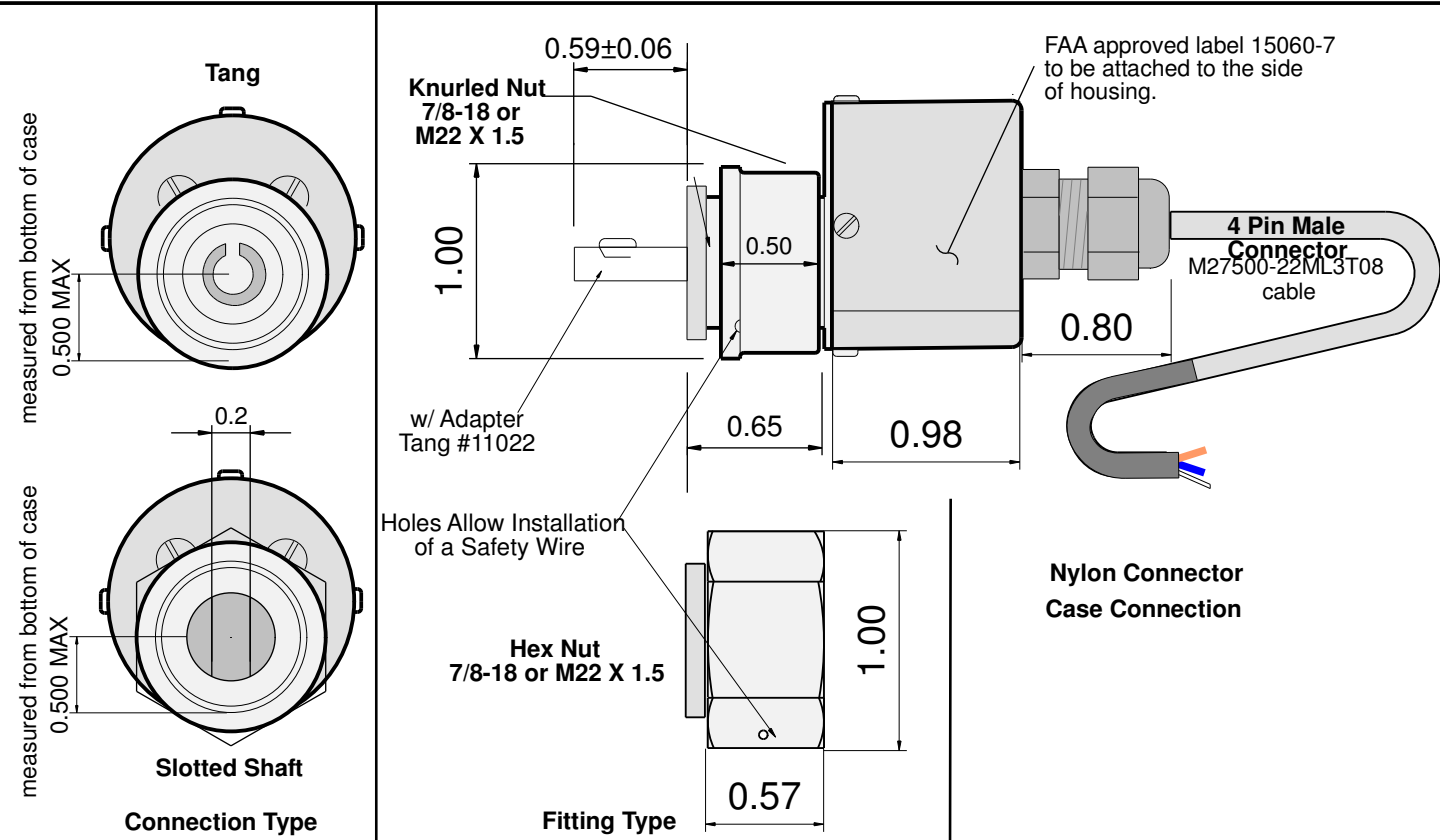


- SPECIFICATIONS:**
01. Input voltage (+VSS) range is 4.5 to 16 volts DC, current draw 10mA.
 02. Output square wave 0 to +VSS, 2 or 4 pulses per tang revolution (dependent on unit purchased), Impedance is 2.7K ohm.
 03. Unit is connected to the Mechanical Tachometer Drive port on engine.
 04. Standard Tang, UMA PN: 11022, is used to adapt TSU to engine, others available.
 05. Tang P/N 11022 will shear at a maximum of 35 In. Lbs. of torque.
 06. Less than 5 In. lbs. of torque required to maintain tang speed up to 2000 RPM
 07. Oil impregnated, self lubricating, wear resistant sleeve bearing.
 08. Rotation CW or CCW
 09. Signal Ground not connected to case.
 10. Printed circuit board is conformal coated (MIL-1-46058C Type SR or equivalent).
 11. Weight is 0.2 pounds.
 12. Unit is to be used in conjunction with UMA P/N: 1D6 wiring harness

Specification Drawing

						TOLERANCES EXCEPT AS NOTED		UMA Inc, 260 Main St. Dayton, VA 22821		
						.XX ±0.05	SCALE 1:1		DATE: 9-7-17	SHEET 1 of 3
						.XXX ±0.010	SUPPLIER COMPLETE <input type="checkbox"/>	DRAW BY R. E. M.		
						ANGULAR ±1°	DESCRIPTION TSO'd TACHOMETER ROTATING SENDING UNIT & TSO'd SHORT, TACHOMETER ROTATING SENDING UNIT			
2019015	B	Add [] to P/N, New Magnet Mfg.	REM	8/19/19	ShM	APP	PART#	T[]A[] []-[]-[]-[]		REV B
2018013	A	Added short body TSU	REM	06/15/18	ShM					
ECO	REV	DESCRIPTION	DR	DATE	APP					

MATERIAL:



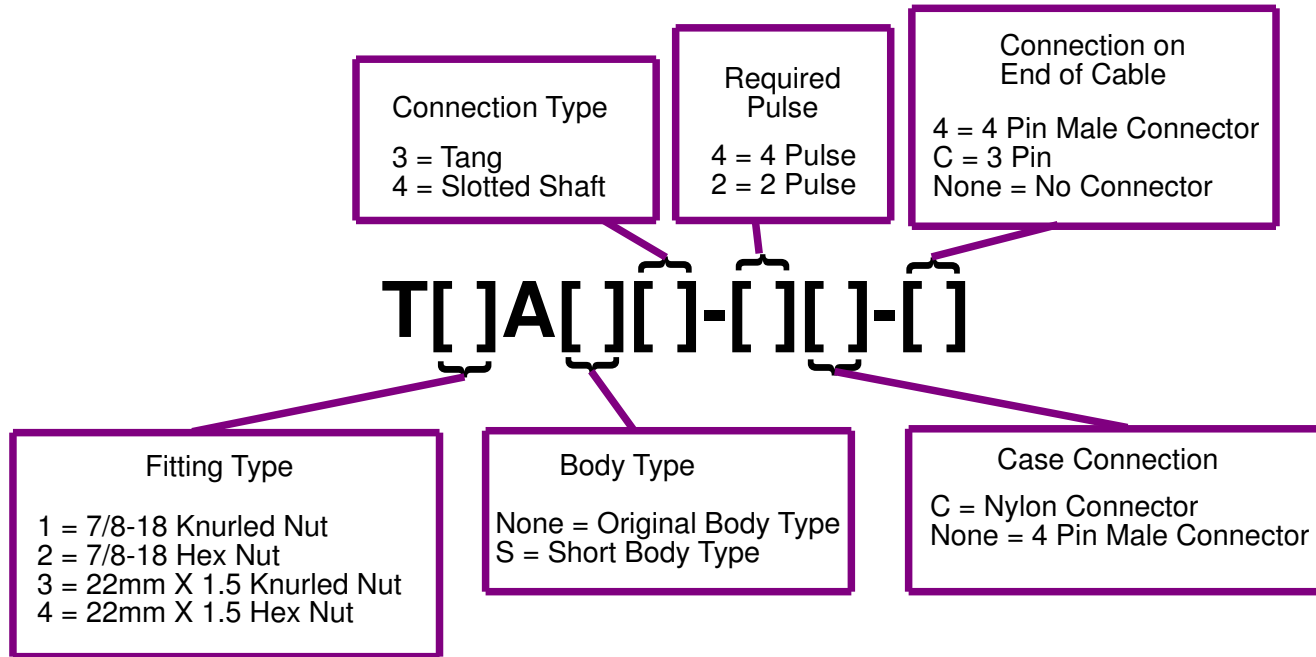
SPECIFICATIONS:

01. Input voltage (+VSS) range is 4.5 to 16 volts DC, current draw 10mA.
02. Output square wave 0 to +VSS, 2 or 4 pulses per tang revolution (dependent on unit purchased), Impedance is 2.7K ohm.
03. Unit is connected to the Mechanical Tachometer Drive port on engine.
04. Standard Tang, UMA PN: 11022, is used to adapt TSU to engine, others available.
05. Tang P/N 11022 will shear at a maximum of 35 In. Lbs. of torque.
06. Less than 5 In. lbs. of torque required to maintain tang speed up to 2000 RPM
07. Oil impregnated, self lubricating, wear resistant sleeve bearing.
08. Rotation CW or CCW
09. Signal Ground not connected to case.
10. Printed circuit board is conformal coated (MIL-1-46058C Type SR or equivalent).
11. Weight is 0.2 pounds.
12. Unit is to be used in conjunction with UMA P/N: 1D6 wiring harness

Specification Drawing

						TOLERANCES EXCEPT AS NOTED		UMA Inc, 260 Main St. Dayton, VA 22821		
						.XX ±0.05	SCALE 1 : 1		DATE: 6/15/18	SHEET 2 of 3
						.XXX ±0.010	SUPPLIER COMPLETE <input type="checkbox"/>	DRAW BY R. E. M.		
						ANGULAR ±1°	DESCRIPTION TSO'd TACHOMETER ROTATING SENDING UNIT & TSO'd SHORT, TACHOMETER ROTATING SENDING UNIT			
2019015	B	Add [] to P/N, New Magnet Mfg.	REM	8/19/19	ShM	APP		PART#	T [] A [] [] - [] [] []	REV B
2018013	A	Added short body TSU	REM	06/15/18	ShM					
ECO	REV	DESCRIPTION	DR	DATE	APP					

MATERIAL:



2019015	B	Add [] to P/N, New Magnet Mfg.	REM	8/19/19	ShM
2018013	A	Added short body TSU	REM	06/15/18	ShM
ECO	REV	DESCRIPTION	DR	DATE	APP

TOLERANCES EXCEPT AS NOTED
.XX
.XXX
ANGULAR

UMA Inc, 260 Main St. Dayton, VA 22821		
SCALE	DATE: 9/7/17	SHEET 3 of 3
SUPPLIER COMPLETE <input type="checkbox"/>	DRAW BY REM	
DESCRIPTION TSO'd TACHOMETER ROTATING SENDING UNIT & TSO'd SHORT, TACHOMETER ROTATING SENDING UNIT		
APP	PART# T[A][H][H]	REV B