

4

3

2

1

REV	DESCRIPTION	CHKED	DATE
C	RELEASE OF NEW REVISED DRAWING PER ECO 2017022	BTN	3-30-2017

T[EUMA]-[] CERAMIC PRESSURE SENDER

CERT	Output	Sender	Manuf./ Style	Range (In PSI)	Press. Type	Port Size	Wire Length
A	B	C	D(DD)	EEE	F	G	HH
T = TSO	1 = .2 TO 4.54			007 = 0-7	G = PSI(GAUGE) A = InHgABS	A = 1/8 - 27M B = 5/8M - 1/8F C = 1/4M - 18	02 = 2 ft
	2 = 0.0 TO 5			010 = 0-10			
	3 = .5 TO 4.5			015 = 0-15			
	4 = .2 TO 4.85			030 = 0-30			
	5 = .2 TO 4.63			050 = 0-50			
	6 = .2 TO 4.65			080 = 0-80			
				100 = 0-100			
				130 = 0-130			
				150 = 0-150			

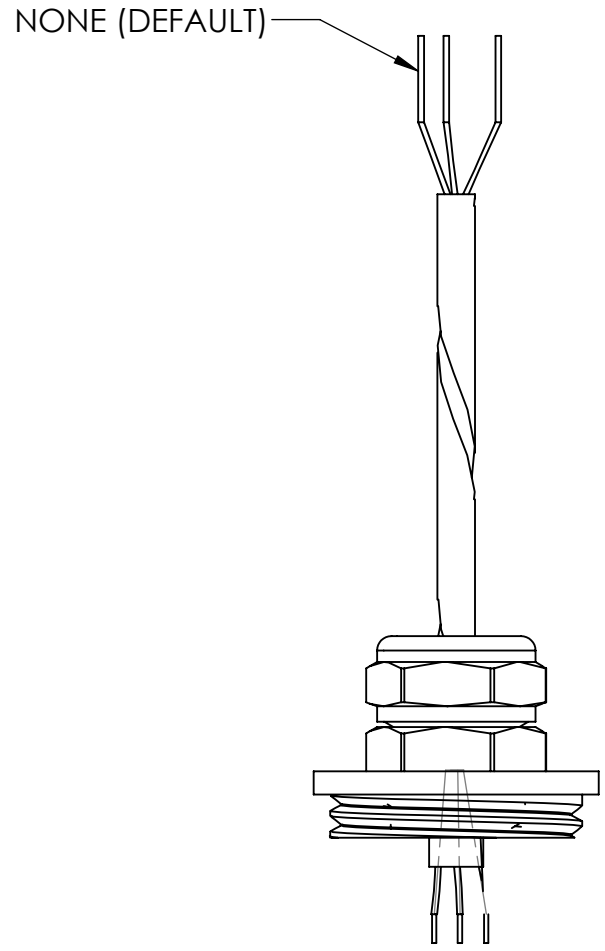
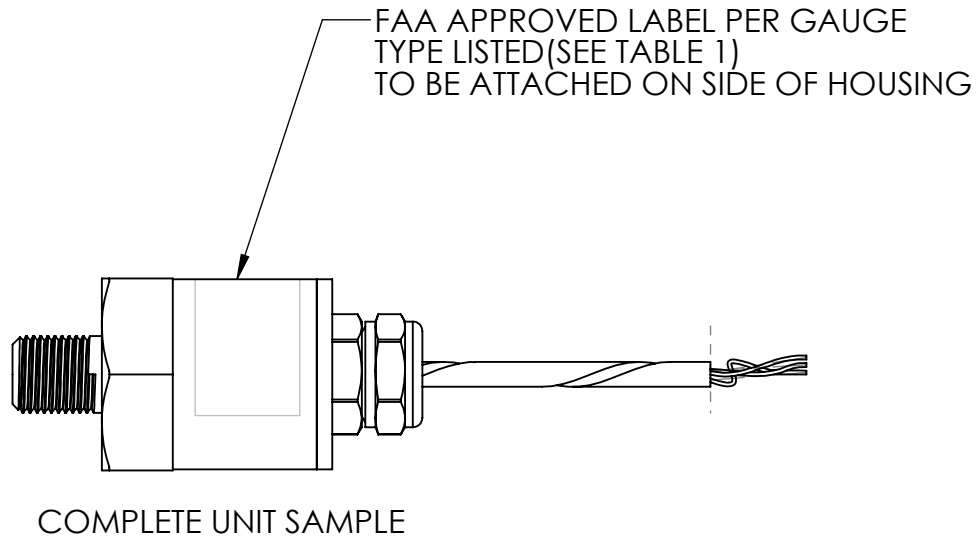
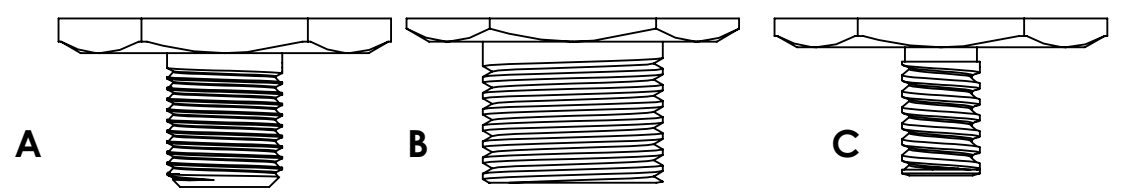


TABLE 1

SERIES	TYPE	LABEL
T[EUMA]G-[]	GAUGE	15060-14
T[EUMA]A-[]	ABSOLUTE	15060-13



SECTIONED FOR DETAILING



PORT SIZES

UNLESS OTHERWISE SPECIFIED:		NAME	DATE	U.M.A., INC. 260 Main St. Dayton, VA 22821	
DIMENSIONS ARE IN INCHES		DRAWN	B NIELSEN	3-15-2017	TITLE: CERAMIC PRESSURE SENDER SPECIFICATION SHEET
TOLERANCES:		CHECKED			
FRACTIONAL ±		ENG APPR.	<i>[Signature]</i>	3-15-2017	
ANGULAR: MACH ± BEND ±		MFG APPR.	<i>[Signature]</i>	3-15-2017	
TWO PLACE DECIMAL ±		Q.A.	<i>[Signature]</i>	3-15-2017	SIZE DWG. NO. REV
THREE PLACE DECIMAL ±		PROPRIETARY AND CONFIDENTIAL THE INFORMATION CONTAINED IN THIS DRAWING IS THE SOLE PROPERTY OF U.M.A.INC. ANY REPRODUCTION IN PART OR AS A WHOLE WITHOUT THE WRITTEN PERMISSION OF U.M.A. INC IS PROHIBITED.			B T[EUMA]-[] C
INTERPRET GEOMETRIC TOLERANCING PER:	MATERIAL	SCALE: 1:1			WEIGHT:
FINISH	APPLICATION	DO NOT SCALE DRAWING			SHEET 1 OF 1

4

3

2

1