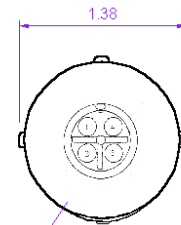
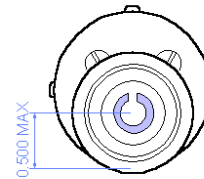
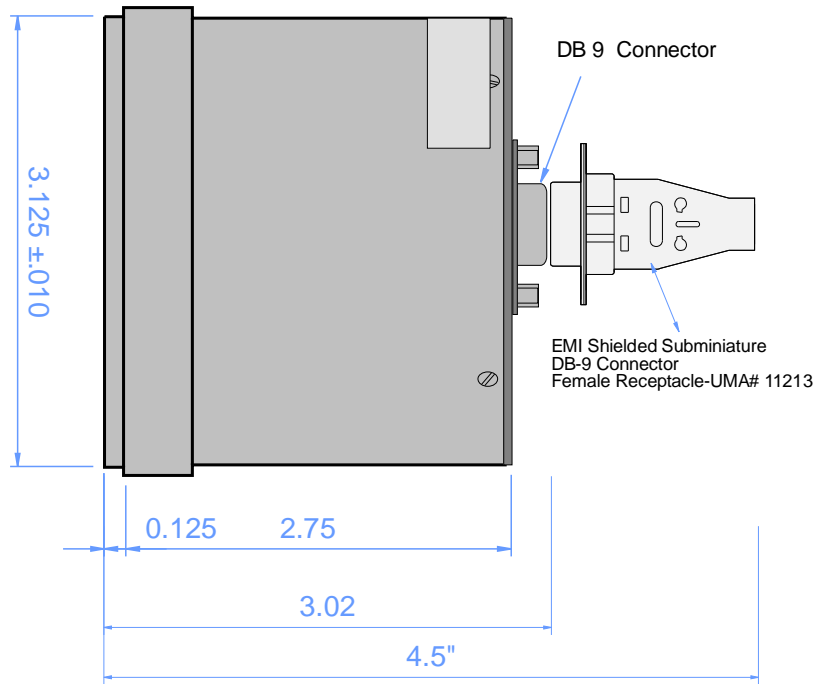


|                                      |       |
|--------------------------------------|-------|
| Ground (Black wire)                  | Pin 2 |
| +12 V Regulated from Tach (Red wire) | Pin 1 |
| TSU Output (White wire)              | Pin 3 |



TO MECHANICAL PORT ON ENGINE



4 PIN MIC CONN.

