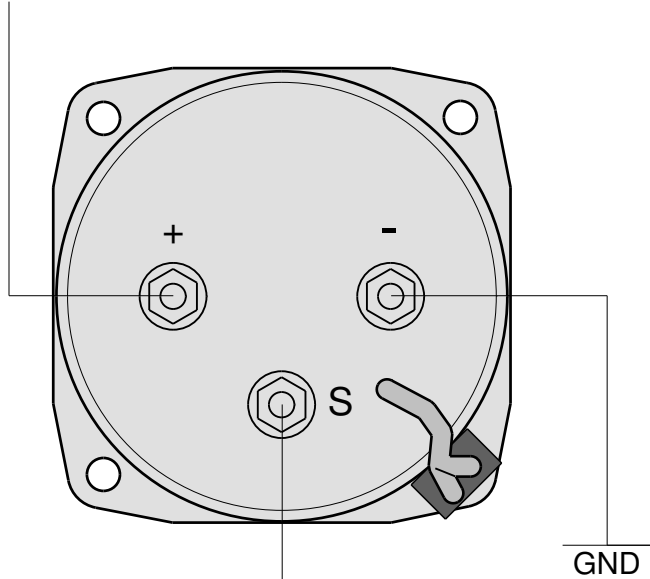


**NOTE:**  
Color markings and internal light optional

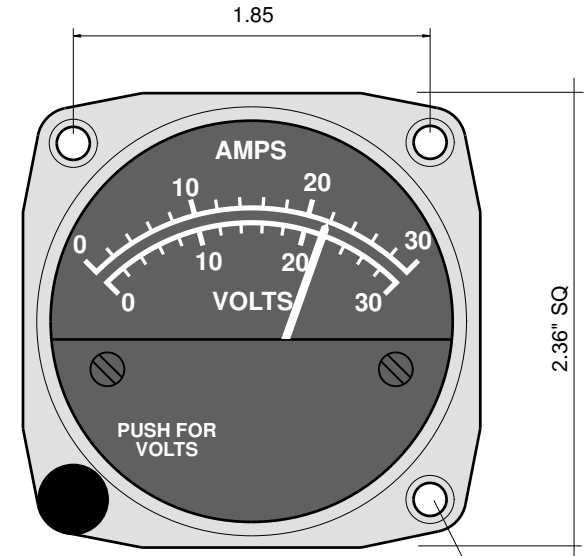
+12÷28V

2 1/4" case,  
Valox plastic



Ø 2.25

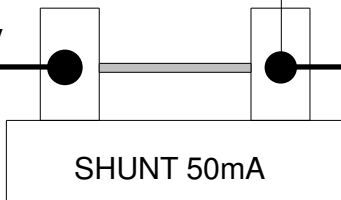
1.760



4 Mounting Holes diam. 0.185  
with 0.250 diam. x 0.060 deep  
Counter Bore

+12÷28V  
Battery

TO THE LOAD



ECO	REV	DESCRIPTION	DR	DATE	APP

TOLERANCES EXCEPT AS NOTED		UMA Inc, 260 Main St. Dayton, VA 22821			
.XX	±0.005	SCALE	N/A	MATERIAL	DRAW BY
.XXX	±0.002	DATE	10.18.96		R.V.
ANGULAR		DESCRIPTION 2 1/4" DUAL AMP/VOLTMETER (HOYT)			1 of 2
		APP	PART# 15-200-XXX	REV	IR

**SPECIFICATIONS**

This gauge normally reads positive amperage from external shunt "S" and "+" terminals. Gauge reads voltage between "+" and "-" terminals, when button is pushed.

**Accuracy:** (Ammeter)  
±2% of Full Scale

**Tolerances:** (Voltmeter)

Input (VDC)	Scale Error
0	±0.2
10	±0.4
20	±0.2
30	±0.4

custom dial marking available

Weight:      4 oz.

**RANGES**

PART#	RANGE	Dial Markings
15-200-30	0-30A, 0-30V	B & W
15-200-60	0-60A, 0-30V	B & W
15-200-80	0-80A, 0-30V	B & W
15-200-100	0-100A, 0-30V	B & W
15-200-150	0-150A, 0-30V	B & W
<b>For El Gavilan:</b> (Colombia)		
15-200-81L	0-80A, 0-30V (w/ wht light)	RR 70