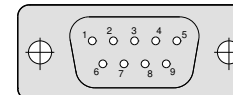
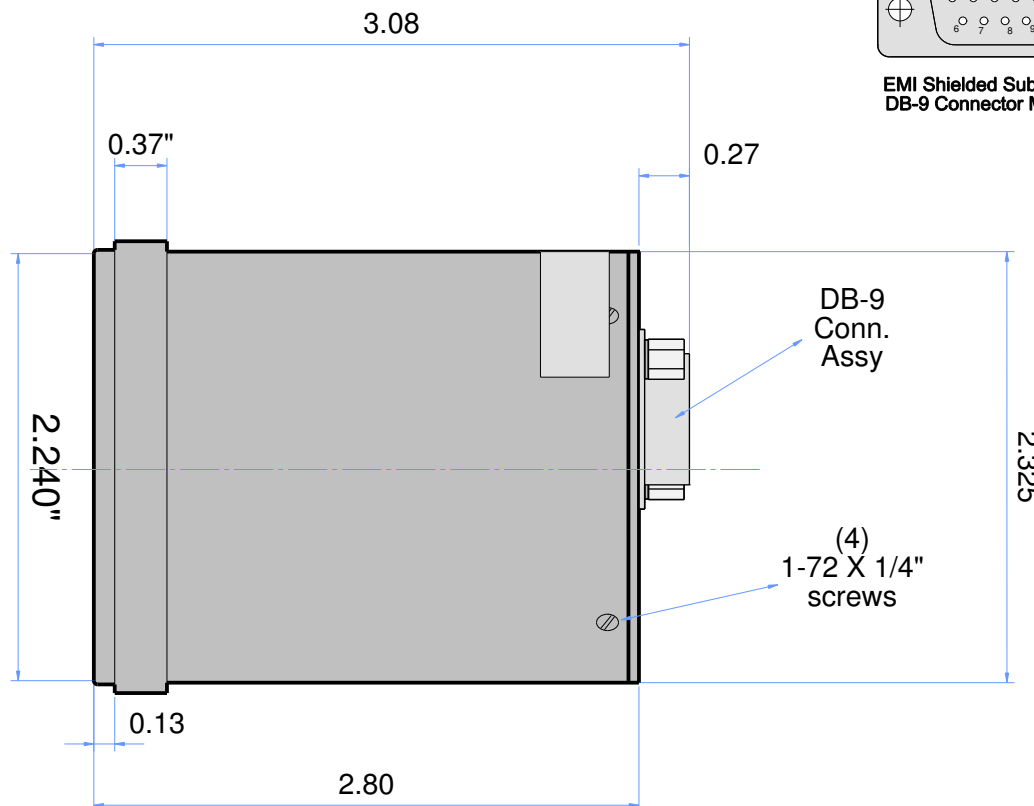
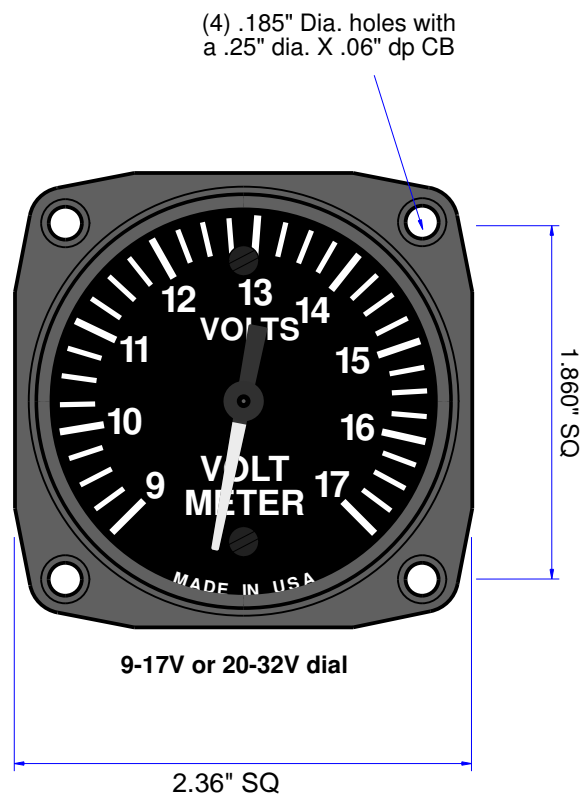


MATERIAL:

Connector Pinout



EMI Shielded Subminiature
DB-9 Connector Male Plug



SPECIFICATION DWG

ECO	REV	DESCRIPTION	DR	DATE	APP

TOLERANCES EXCEPT AS NOTED		UMA Inc, 260 Main St. Dayton, VA 22821		
.XX ± 0.01	.XXX ± 0.005	SCALE 1 : 1	DATE: 9/28/09	SHEET 1 of 2
ANGULAR		SUPPLIER COMPLETE <input type="checkbox"/>	DRAW BY ShM	
		DESCRIPTION 2 1/4" Aircore Voltmeter Gauge w/DB9 conn.		
		APP	PART# N14-21-xx-xxxx	REV IR

Product #: N14 2100 xxxV xxx

File: spec N14 2100 xxxV xxx.xls

UMA Inc., 260 Main Street, Dayton VA 22821

SPECIFICATIONS

RANGES

Voltmeter

Description:

Remote-indicating electronic w/ analog display

Supply Voltage: 9-17V

20-32V

Current Draw: 90-120 mA

Accuracy: ± 3% full scale

Input: volts DC

DB-9 pinout:

- 1 Supply voltage
- 2 Not used (internally connected to 1)
- 3 Not used
- 4 Not Used
- 5 Positive Monitored Voltage
- 6 Internal Light option (N14 2100 xxxV xxW)
- 7 Internal Light option
- 8 Not Used (internally connected to 9)
- 9 Ground

custom dial marking available

Weight: 4 oz.

PART#	RANGE	TYPE	Dial Markings
N14 2100 917V 000	9 - 17 volts	Volts	B & W
N14 2100 917V 00W	9 - 17 volts	Volts	B & W
N14 2100 232V 000	20 - 32 volts	Volts	B & W
N14 2100 232V 00W	20 - 32 volts	Volts	B & W

UMA Inc., Dayton VA 22821

Reference Specification Drawing # N14 2100 xxxV xxx

Specification sheet Product #: N14 2100 xxxV xxx

Title: 2 1/4" Electronic Voltmeter w/DB9 connector

REV	ECO	DESCRIPTION	DATE	DR	Drawn By: JM	Date: 2/17/2005	Sheet 2 of 2	Rev. IR
-----	-----	-------------	------	----	--------------	-----------------	--------------	---------