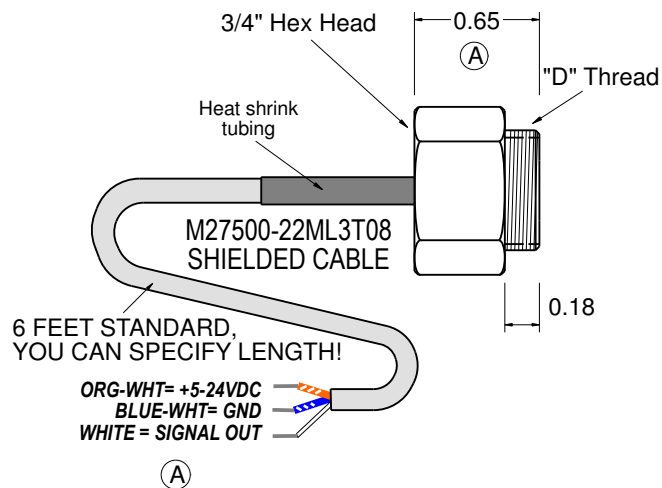


N/T1A9-x Magnetic Pickup Tach Sender

Weight 1 oz.



Sender informations

Thr.Size	Type	Sender	"D" Thread
BIGGER	SLICK MAG.	N/T1A9-1	11/16" - 24UNEF - 2A
SMALLER	BENDIX M.	N/T1A9-2	9/16" - 24UNEF - 2A

Notes:

- 1.) Installation Torque - finger tight plus 1/6 turn
- 2.) Use Loctite 242 or equivalent
- 3.) "N" is for NON TSO'd & "T" is for TSO'd senders

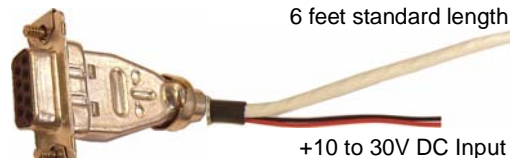
Voltage in 5-24v DC Regulated
 Signal out 95% of supply Sq. Wave
 Temperature -40 deg. C to 150 deg.C
 Output Impedence 4.7K
 Supply Current 7.5ma. max.
 Pulse Output for 2 pole Magnetos: 1 Pulse/Rev 4 Cyl.--1.5 Pulse/Rev 6 Cyl.
 This sender is a "Hall Effect" device.

Specification Drawing

						TOLERANCES EXCEPT AS NOTED		UMA Inc, 260 Main St. Dayton, VA 22821							
						.XX	±0.01	SCALE	NTS	DATE:	08/11/2008	SHEET	1 of 1		
						.XXX	±0.005	SUPPLIER COMPLETE	<input type="checkbox"/>	DRAW BY	ShM				
								DESCRIPTION N/T1A9-x Magnetic Pickup Tach Sender							
								APP				PART#	N/T1A9-x	REV	A
ECO	REV	DESCRIPTION	DR	DATE	APP	ANGULAR									
		A Length changed and info added	ShM	4/3/2011											

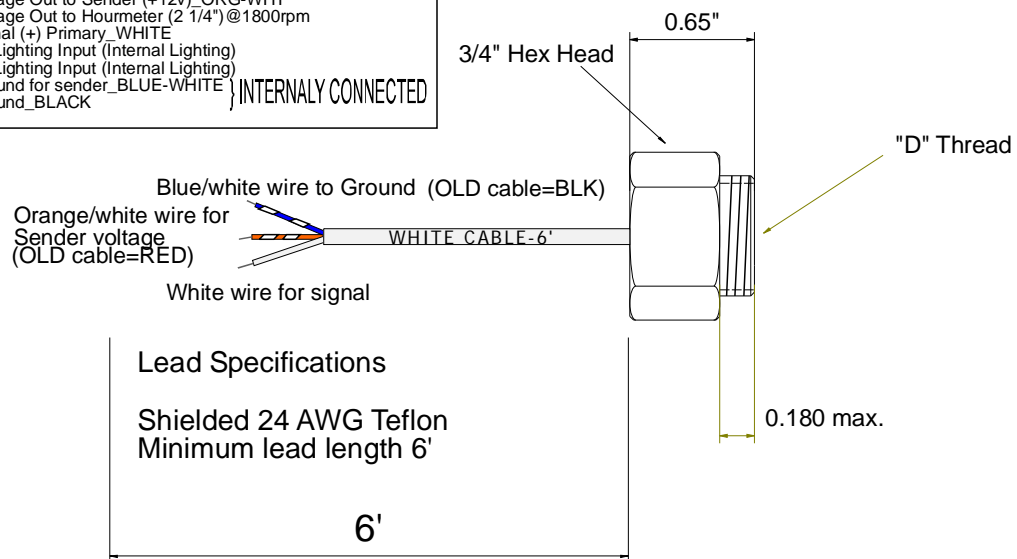
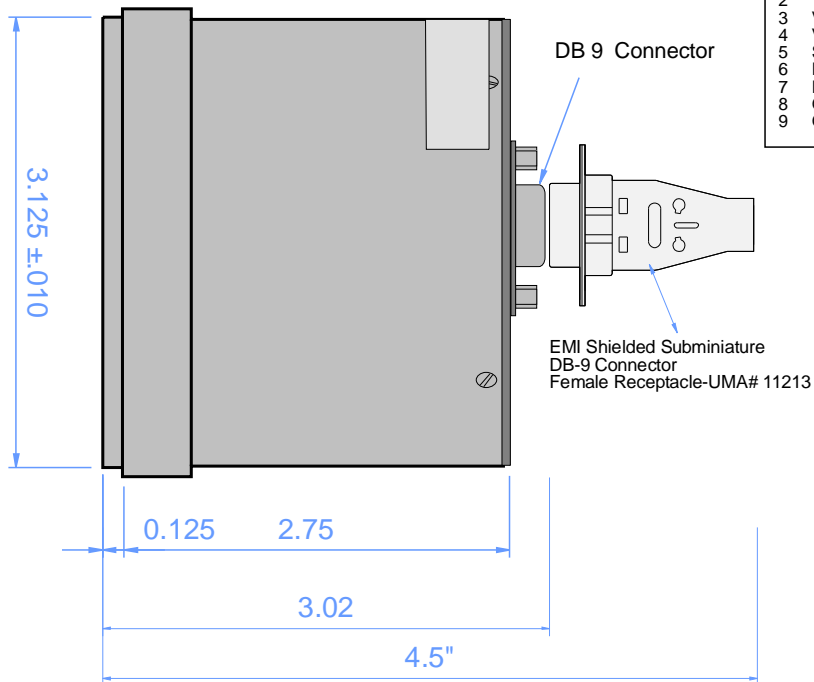
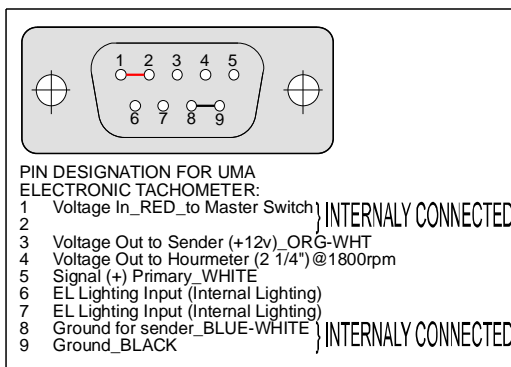


T1A9-1 for Slick Magneto
T1A9-2 for Bendix Magneto



T1A9-1

VENT. HOLE



Type	Sender	"D" Thread
SLICK MAG.	N/T1A9-1	11/16" - 24UNEF - 2A
BENDIX M.	N/T1A9-2	9/16" - 24UNEF - 2A