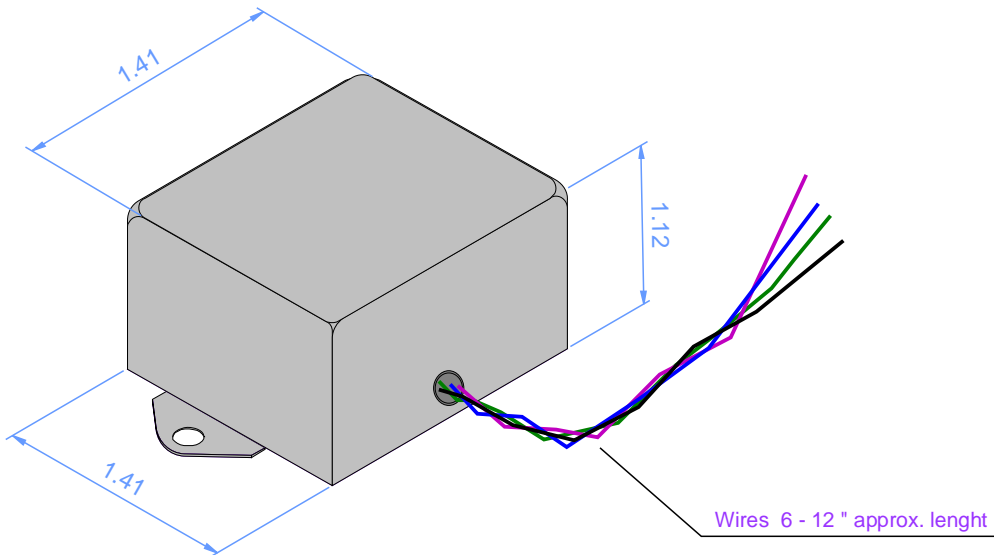
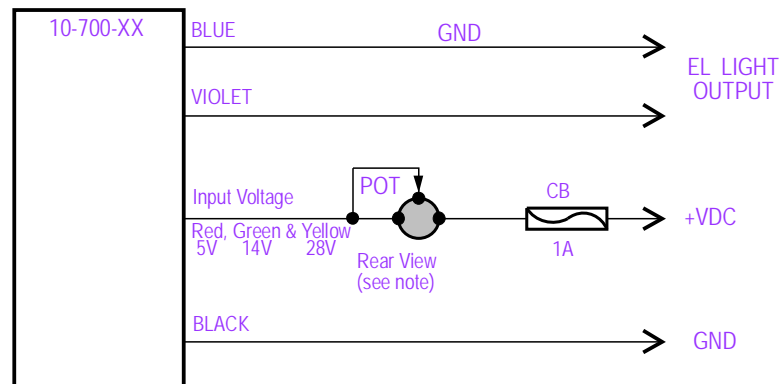


MATERIAL:

OUTLINE DIMENSIONS



CONNECTION DIAGRM



ELECTRICAL SPECIFICATIONS:

PN:	Input Voltage:	Wire color:	
10-700-05	0 - 5 VDC	Red	
10-700-14	0 - 16 VDC	Green	
10-700-28	0 - 30 VDC	Yellow	
Current draw empty:	50mA (without lights)	Add 5-10mA for each light strip & 40-50mA for each flexible panel light	
Input Current:	85 - 120 mA DC		
Output Current:	10 - 20 mA AC		
Output Voltage:	80 - 130 Vrms		
Output Frequency:	800 - 2500 Hz		
Nominal Load:	27 sq.in. UMA Electro Luminescence Material (up to 12 UMA bezels and/or internally lit instruments, 1 large light strip-1.25"x18", or 2 small light strips 1.25"x9")		

Mounting Info: (2) .150 dia. holes @ 1.75" spacing.
Attach Inverter to metal surface, for heat sink.

NOTES:

DO NOT GROUND output wires.

Twist output pair of wires (Violet&Blue) when connecting EL lights together.

Add Dimmer Potentiometer (UMA# 1G01) 1K 5W, connect as shown for clockwise rotation to increase brightness.

Add 1 amp circuit breaker Potter and Brumfield PN: W23X1A1G1 or equivalent .

Specification Drawing

Weight: 3.0 oz.			TOLERANCES EXCEPT AS NOTED			UMA Inc, 260 Main St. Dayton, VA 22821			
2012001	D	Output wire color change	ShM	2/27/12	SCALE	N/A	DATE:	2/12/99	SHEET
02-0076	C	Revised specifications	JM	9/19/02	SUPPLIER COMPLETE	<input type="checkbox"/>	DRAW BY	CBH	1 of 1
99-0008	B	changed to 1 A circuit breaker.	CBH	10/28/99	DESCRIPTION EL VOLTAGE INVERTER				
99-0002	A	added part number 1G01.	CBH	9/02/99	APP		PART#	10-700-XX	REV
ECO	REV	DESCRIPTION	DR	DATE	APP				D