



Aircraft and Medical Instruments

UMA, Inc.
260 N. Main St.
Dayton, VA 22821
Phone 540-879-2040
Fax 540-879-2738

www.umainstruments.com

UMA TACHOMETER FOR
4 cylinders or 6 cylinders SLICK MAGNETO

Installation Instructions:

Additional wire and fuses may be necessary for installation of unit.

Mount instrument in aircraft's instrument panel.

Connect white wire (tachometer input) of tachometer to the P-Lead of one magneto. Connection can be made at magneto switch terminals. Make sure to connect a fuse or breaker (Use 1/4 amp) inline between the magneto switch and the tachometer.

For tachometer RPM reading during Left and Right magneto checks, you can install a SPDT switch (either toggle or rocker panel) between magneto switch and tachometer input (white wire). Connect the common terminal of switch to white wire of tachometer. Connect one terminal of Tachometer Selector Switch to left magneto connection on magneto switch. Connect the other terminal of Tachometer Selector Switch to right magneto connection on magneto switch. Refer to Figure One.

Next, connect the Red wire from tachometer to power source of plane. (Use an inline 1 amp fuse or breaker) Then, connect the Black wire to common ground of engine.

Note: Route wires away from hot surfaces and moving parts using wire ties as needed.

Fuse (Power): 1 Amp Fast Acting
Fuse (Tach input): 1/4 Amp Slow Blow
Current Draw (typical):
Pivot & Jewel Type: 2 1/4" = 50 mA 3 1/8" = 70 mA
Aircore Type: 2 1/4" = 90 mA 3 1/8" = 90 mA
Supply Voltage: +14 to +28 Volts D.C.

Note: All 3 1/8" tachometer with internal hourmeter are set to record hours above a set RPM. Standard set point for tachometer is 1800 RPM's for 4 cylinders mode and 1200 for 6 cylinders mode. Other set points available upon request.

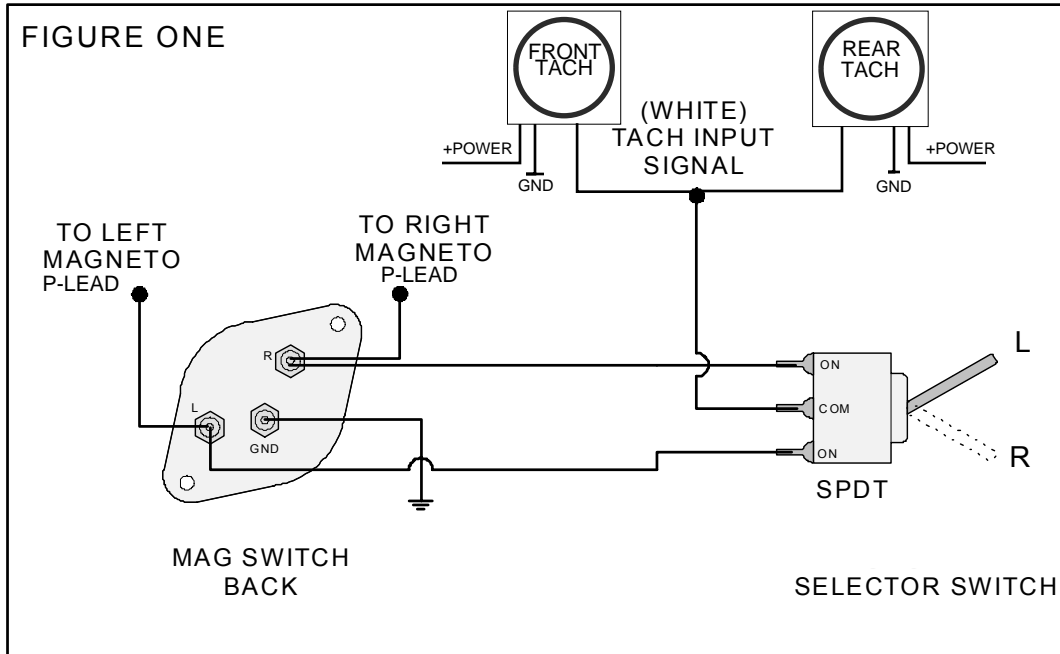
IF YOU HAVE PURPLE WIRES, THEY MUST BE CONNECTED FOR 6CYL AND DISCONNECTED (CUT OFF-SEPARATED) FOR 4 CYLINDERS ENGINE!



Aircraft and Medical Instruments

UMA, Inc.
260 N. Main St.
Dayton, VA 22821
Phone 540-879-2040
Fax 540-879-2738

www.umainstruments.com



Warranty

UMA, Inc. warrants all products to be free from defects in material and workmanship under normal use and operation. UMA does not warrant any product which has been damaged as the result of accident, abuse, negligence, improper operational voltage, lightning, fire, flood, or other acts of nature. Any indication that the unit has been opened can void warranty. Under no circumstances shall UMA be liable for any loss or damage, direct, consequential or incidental, arising from the use of or inability to use this product.

This warranty is limited to the repair or replacement, at the manufacturer's option, of any product or part thereof, which has been returned to UMA within the specified warranty period, and which after examination shall disclose to the customer service department's satisfaction that the product is defective. Transportation to the factory or authorized service center must be prepaid; the product after repair or replacement, will be returned at the expense of the dealer or end customer. This warranty does not apply to any product or integral part thereof, which has been altered or serviced by other than the manufacturer or authorized service center.

The warranty period is twelve (12) months to the user. This warranty supersedes all other warranties either expressed or implied and shall be governed and executed under the laws of the Commonwealth of Virginia, USA.