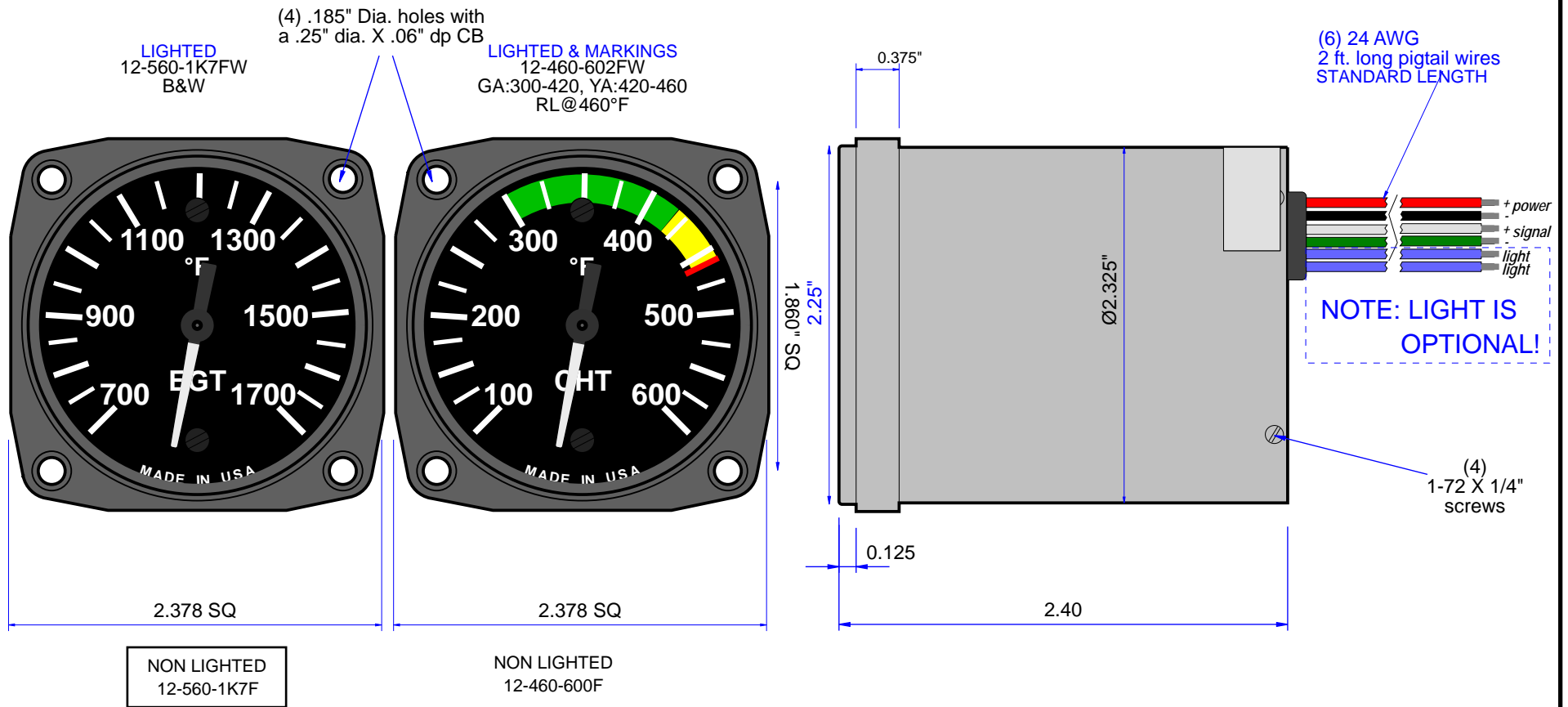


PART No: 12-x60-xxxx

FILE: spec12-x60-xxxx.t4g

APP. SUPPLIER:

MATERIAL:



**Specification Drawing**  
see spec sheet for Function & Range variations

ECO	REV	DESCRIPTION	DR	DATE	APP

TOLERANCES EXCEPT AS NOTED	
.XX	± 0.01
.XXX	± 0.005
ANGULAR	

UMA Inc, 260 Main St. Dayton, VA 22821			
SCALE	1 : 1	DATE:	1/3/14
SUPPLIER COMPLETE	<input type="checkbox"/>	DRAW BY	ShM
DESCRIPTION		SHEET	
2 1/4" UMA TEMP. GAUGES (thermocouple)		1 of 1	
APP		PART#	REV
		12-x60-xxxx	IR