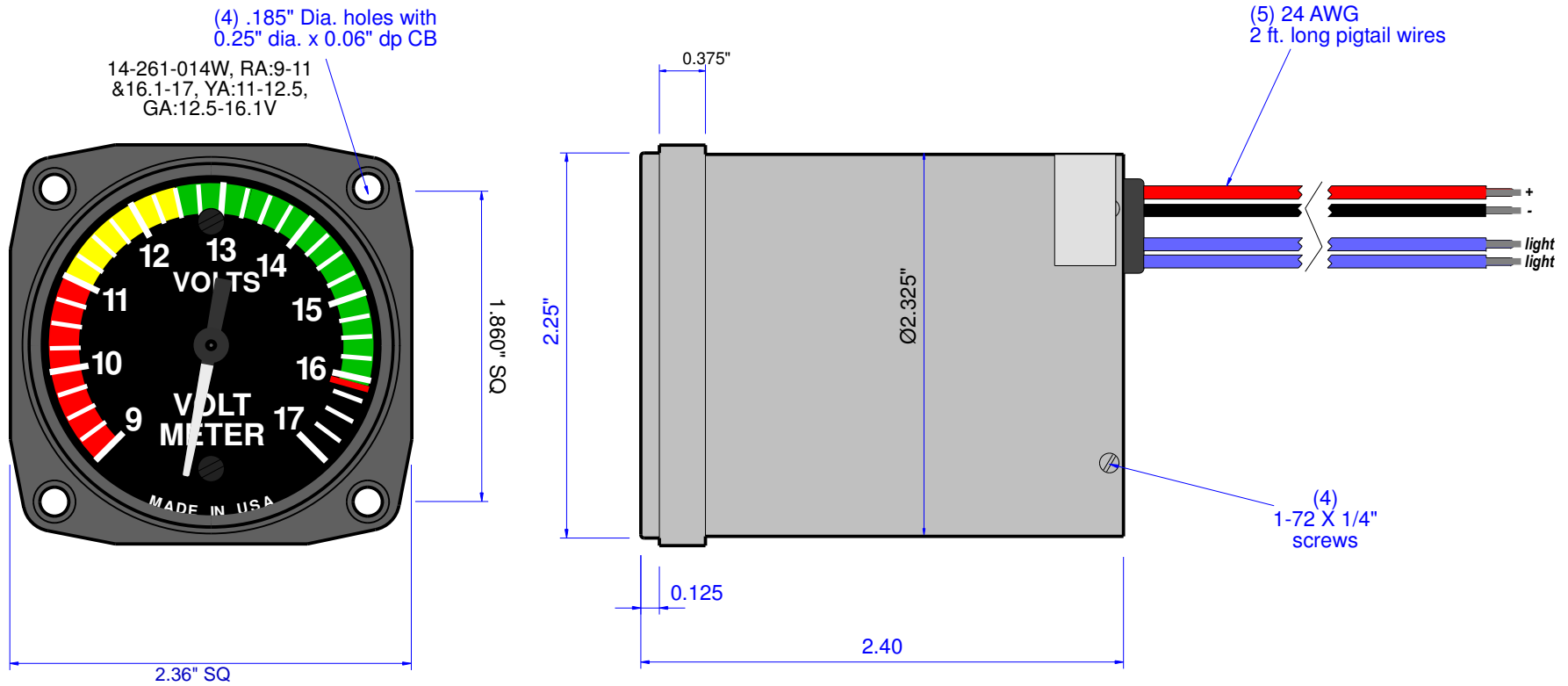


PART No: 14-262-xxxx

FILE: spec14-262-014W.t4g

APP. SUPPLIER:

MATERIAL:



OLD one DA20-C1 (P# 14-261-014W) our record show the markings requested are as follows:

RA: 9.0-11.0 & 16.1-17.0V

YA 11.0-12.5V

GA 12.5-16.1V

Blue-White internal light

NEW one DA20-R1 (Part# 14-262-014W) the markings requested were:

RA: 9.0-11.0V

YA: 11.0-12.5V

GA 12.5-16.0V

RR@ 16.1V

Blue-White internal light

Specification Drawing
see spec sheet for Function & Range variations

ECO	REV	DESCRIPTION	DR	DATE	APP

TOLERANCES EXCEPT AS NOTED .XX ± 0.01 .XXX ± 0.005 ANGULAR	UMA Inc, 260 Main St. Dayton, VA 22821		
	SCALE 1:1	DATE: 4/1/14	SHEET 1 of 2
	SUPPLIER COMPLETE <input type="checkbox"/>	DRAW BY ShM	
	DESCRIPTION 2 1/4" AIRCORE VOLTMETER		Diamond Aircraft
APP	PART# 14-262-014W	REV IR	

SPECIFICATIONS

UMA Inc., 260 Main Street, Dayton VA 22821

Voltmeter w/wires

Description:
Remote-indicating electronic w/ analog display

Supply Voltage: 9-17V
20-32V

Current Draw: 90-120 mA

Accuracy: ± 3% full scale

Input: volts DC

Wiring: Red - Voltage input
Black - GND
Purple - light
Purple - light

light - optional

custom dial marking available

Weight: 4 oz.

RANGES

PART#	RANGE	TYPE	Dial Markings
14-261-014W (Wht Light)	9 - 17 volts	Volts	RA:9-11&16.1-17, YA:11-12.5, GA:12.5-16.1V
14-26X-14 (W)	9 - 17 volts	Volts	B & W
14-26X-28 (W)	20 - 32 volts	Volts	B & W

UMA Inc., Dayton VA 22821

REV	ECO	DESCRIPTION	DATE	DR	Drawn By: ShM	Date: 1/3/2014	Sheet 2 of 2	Rev. IR
-----	-----	-------------	------	----	---------------	----------------	--------------	---------