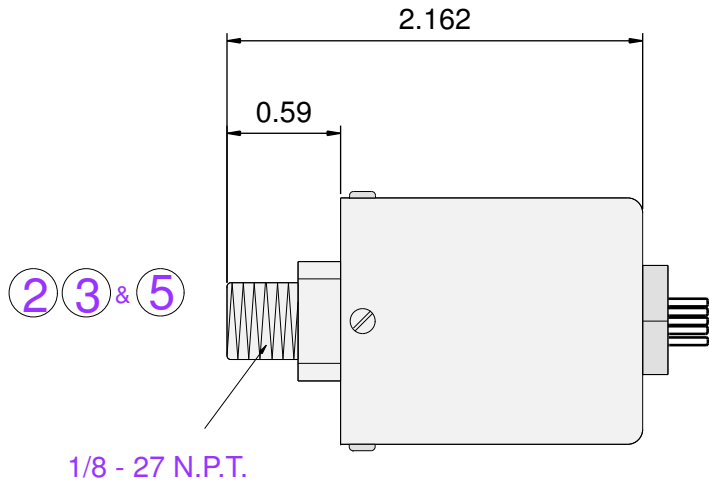
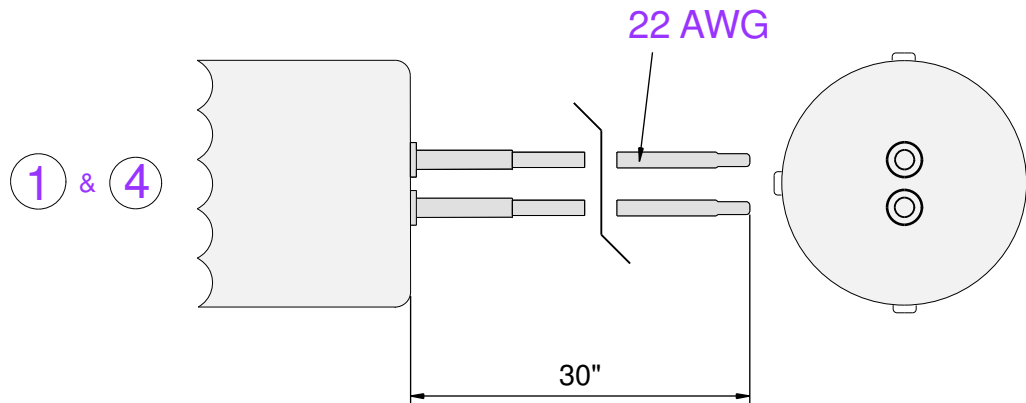
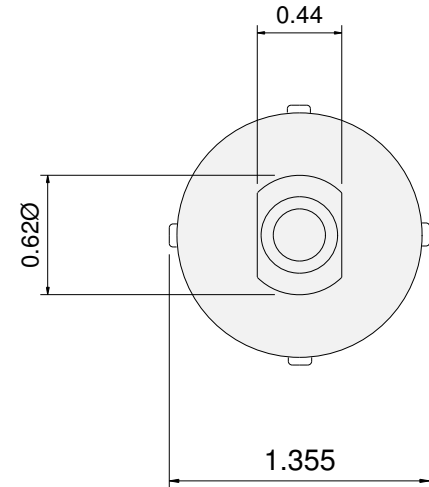
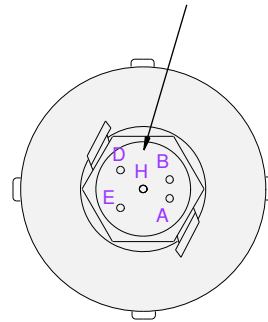


PART No: 17-XXX-XX FILE: spec17-XXX-XXrevC.t4g APP. SUPPLIER:

MATERIAL:



CONNECTOR  
5 PIN (126-216)  
MATES WITH SOCKET  
(126-223)



CONTACT CONFIGURATION:

	Com.	N.O.	N.C.
Type 1	W	-	W
Type 2	H	A	B
Type 3	B	H	A
Type 4	W	W	-
Type 5	H	B	A

ECO	REV	DESCRIPTION	DR	DATE	APP
	C	Type 1&4 description fixed	ShM	08/14/19	
	B	Added Type 4 & 5	REM	10/7/15	
02-0085	A	Only 2 flats milled on base, was 4	FSD	10/21/02	

TOLERANCES EXCEPT AS NOTED

.XX  
.XXX

ANGULAR

UMA Inc, 260 Main St. Dayton, VA 22821

SCALE	DATE: 1/13/00	SHEET 1 of 2
SUPPLIER COMPLETE <input type="checkbox"/>	DRAW BY CBH	
DESCRIPTION 1 1/4" PRESSURE SWITCHES		
APP	PART# 17-XXX-XX	REV C